



Oxygen Playback and Mini System User Instructions

WELCOME

Congratulations on choosing a home fitted with a Blakeglow system.

Depending on the actual specification of the system you can distribute your television, video, DVD and satellite throughout your home.

The system may also have a number of other capabilities, which may be included as standard or can be added as options. These include infra-red passing for remote controls.

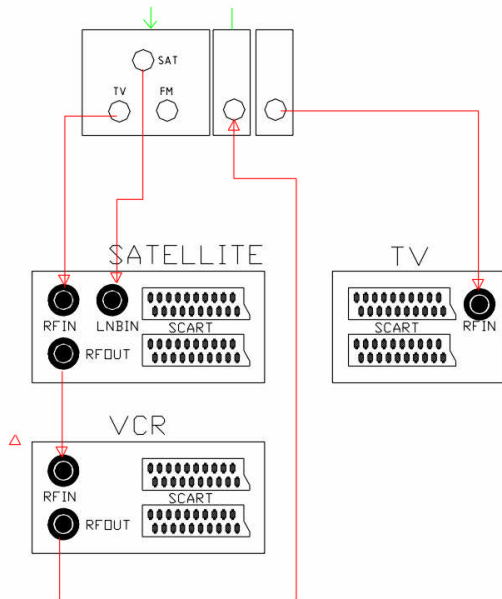
The system uses industry standard cabling types around your home. These cables are used to connect the television outlets

This Owner's Guide is designed to help you get the most from your network system.

For the latest product and technical information please visit our website: www.blakeglow.com

TV DISTRIBUTION

The TV system can allow Analogue and Digital terrestrial TV, Satellite TV, CCTV, FM and DAB (Digital Audio) signals to be distributed to the main TV viewing point and to other rooms around the property.

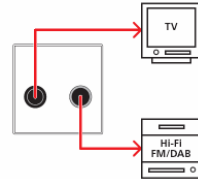
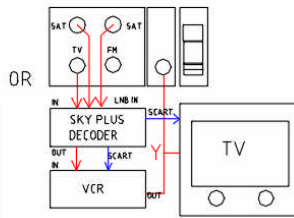
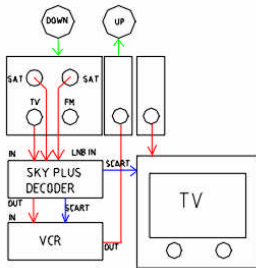


Video sources such as VCR's and DVD's situated at the main TV viewing point may also be viewed at the remote locations. Satellite decoder required. Most DVD players will require a Modulator

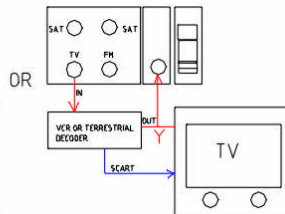
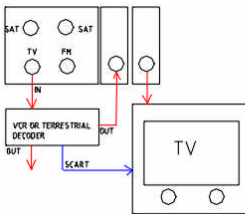
SKY PLUS SYSTEMS

REMOTE LOCATION

VCR & SATELLITE AT MAIN TV VIEWING POINT



Ensure the TV at the **Main TV Viewing Point** is connected to the TV outlet and **NOT** the FM/DAB outlet.



Y CONNECTOR



VCR OR TERRESTRIAL DECODER AT MAIN TV VIEWING POINT

Mini system

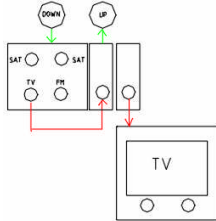
Play back system



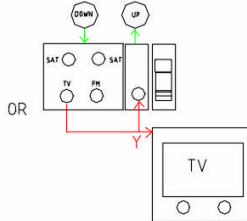
Make sure a connection is in place between the downlink and uplink at the **Main TV Viewing Point** or no signal will be present in the other rooms.

TELEVISION ONLY AT MAIN TV VIEWING POINT

Mini system

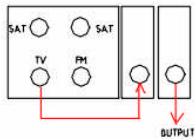


Play back system

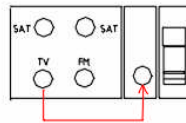


NO EQUIPMENT AT MAIN TV VIEWING POINT

Mini system

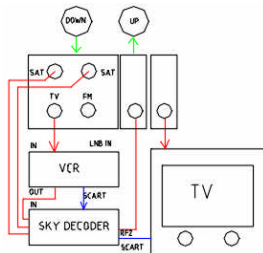


OR

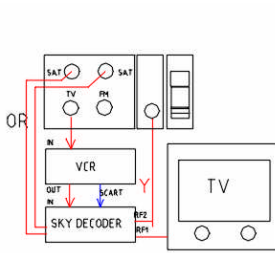


VCR & SATELLITE AT MAIN TV VIEWING POINT AND REMOTE CONTROL

Mini system



Play back system

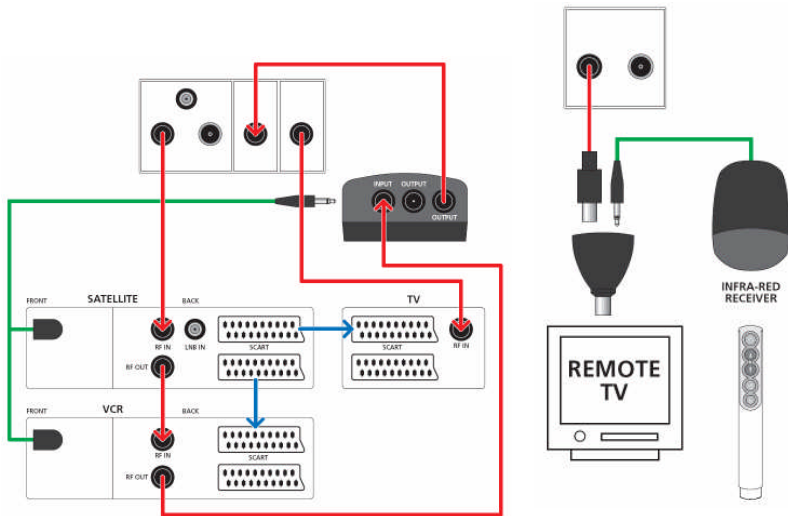


INFRA-RED PASSING SYSTEM

The infra-red passing system allows you to control central sources such as DVD's and Satellite Decoders from other rooms.

VCR & SATELLITE AT MAIN TV VIEWING POINT

REMOTE LOCATION OUTPUTS



- Ensure the Y connector is attached to the TV at the Remote Location.
- Not all infra-red remote controls are compatible with this system.
- The IR passing system may not be required if the audio system has been installed.

NOTES

**Blakeglow Ltd
Unit A4
Hastingwood Trading Estate
35 Harbet Road
London N18 3HT**

**Tel : 020 8884 2495
Fax : 020 8345 5883
Email office@blakeglow.com
Web www.blakeglow.com**

April 2008 issue 1