



Satellite System User Instructions

**Blakeglow Ltd
Unit A4
Hastingwood Trading Estate
35 Harbet Road
London N18 3HT**

**Tel : 020 8884 2495
Fax : 020 8345 5883
Email office@blakeglow.com
Web www.blakeglow.com**

January 2009 issue 2

Copyright Blakeglow Ltd

WELCOME

Congratulations on choosing a home fitted with a Blakeglow system.

Depending on the actual specification of the system, you may be able to distribute your television, video, DVD and satellite to other rooms.

The system uses industry standard cabling types into your home. These cables are used to connect the television outlets.

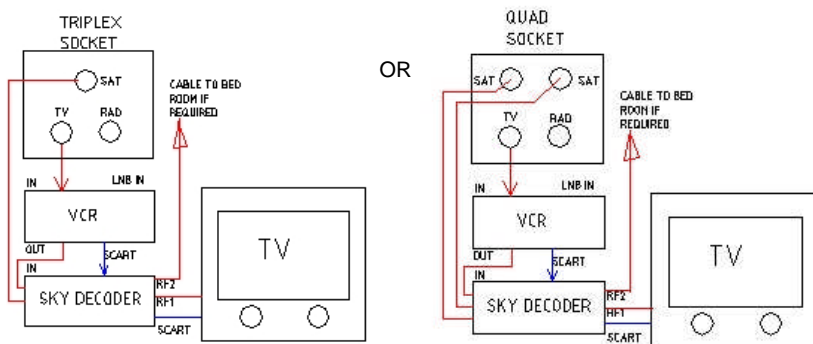
This Owner's Guide is designed to help you get the most from your system.

For the latest product and technical information, please visit our website:
www.blakeglow.com

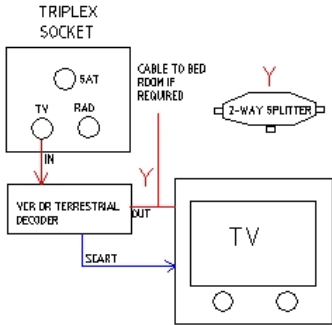
TV DISTRIBUTION

The TV system can allow Analogue and Digital terrestrial TV, Satellite TV, FM and DAB (Digital Audio) signals to be distributed to the main TV viewing point and possibly from there to other rooms.

VCR & SATELLITE AT MAIN TV VIEWING POINT



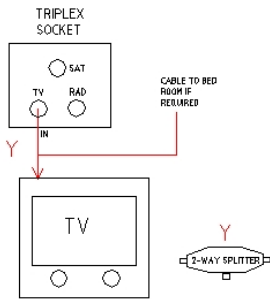
VCR OR TERRESTRIAL DECODER AT MAIN TV VIEWING POINT



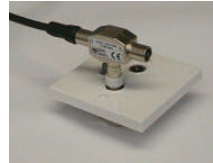
Y CONNECTOR



TELEVISION ONLY AT MAIN TV VIEWING POINT



Y AND LEAD



Ensure the TV at the **Main TV Viewing Point** is connected to the TV outlet and **NOT** the FM/DAB outlet.



A back to back connector needed in the above example

**Blakeglow Ltd
Unit A4
Hastingwood Trading Estate
35 Harbet Road
London N18 3HT**

**Tel : 020 8884 2495
Fax : 020 8345 5883
Email office@blakeglow.com
Web www.blakeglow.com**